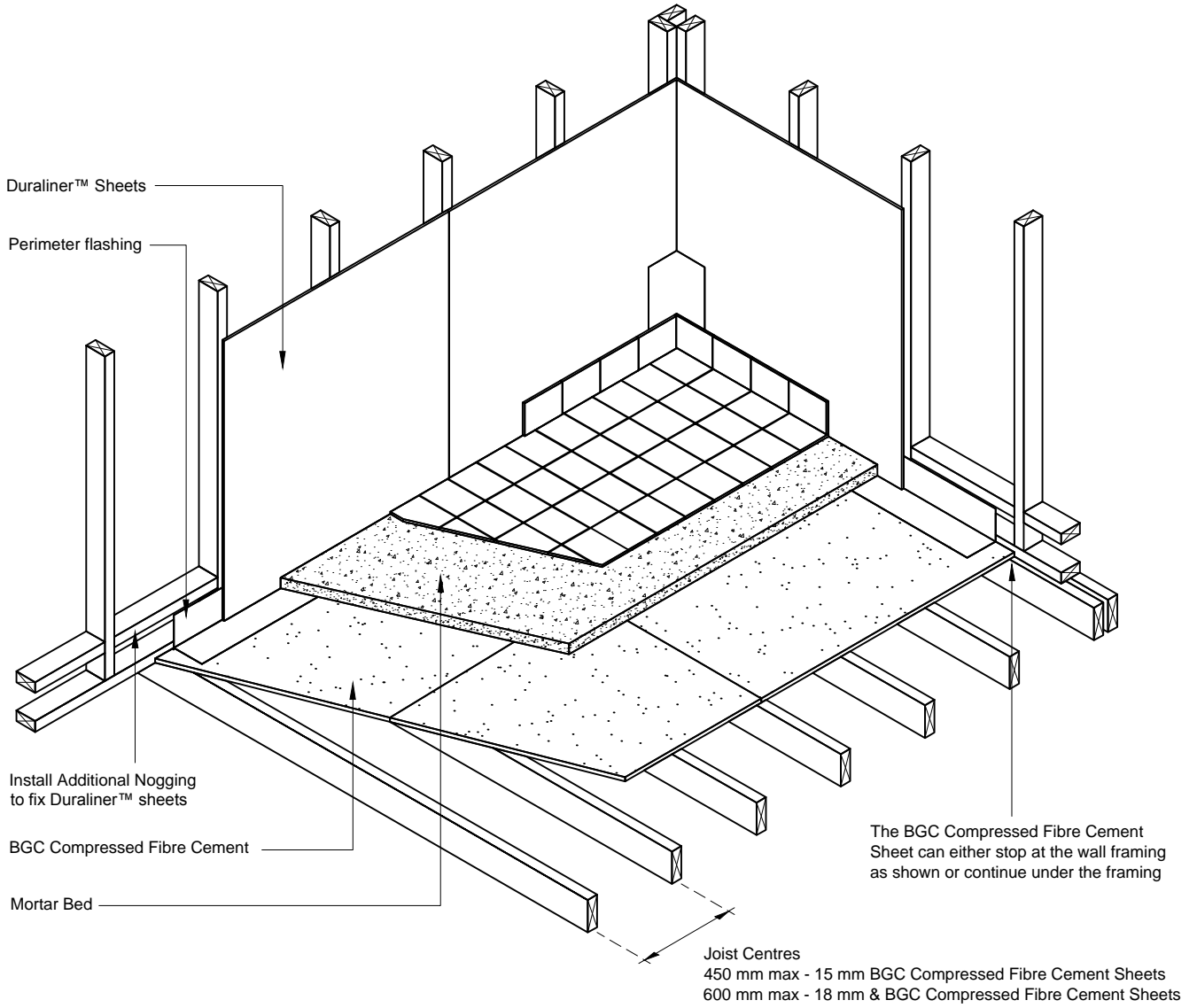


Fibre Cement

Profile  
Detail

Compressed Fibre Cement  
Floor Waste Detail

Date Jan 2013  
Scale 1:2  
Detail No. ACOM\_001

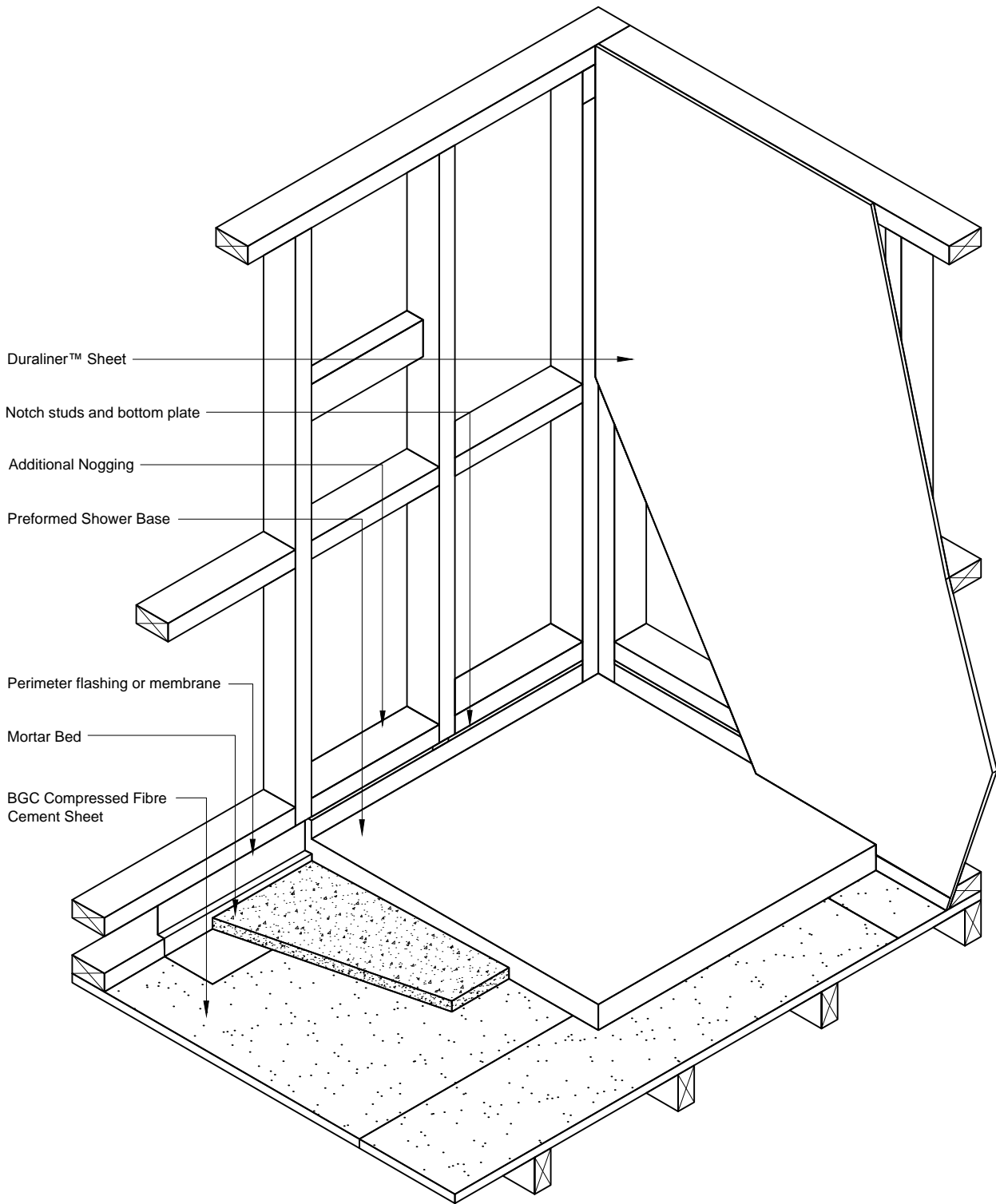


Fibre Cement

Profile  
Detail

Compressed Fibre Cement  
Wet Area Detail

Date Jan 2013  
 Scale n/a  
 Detail No. ACOM\_002

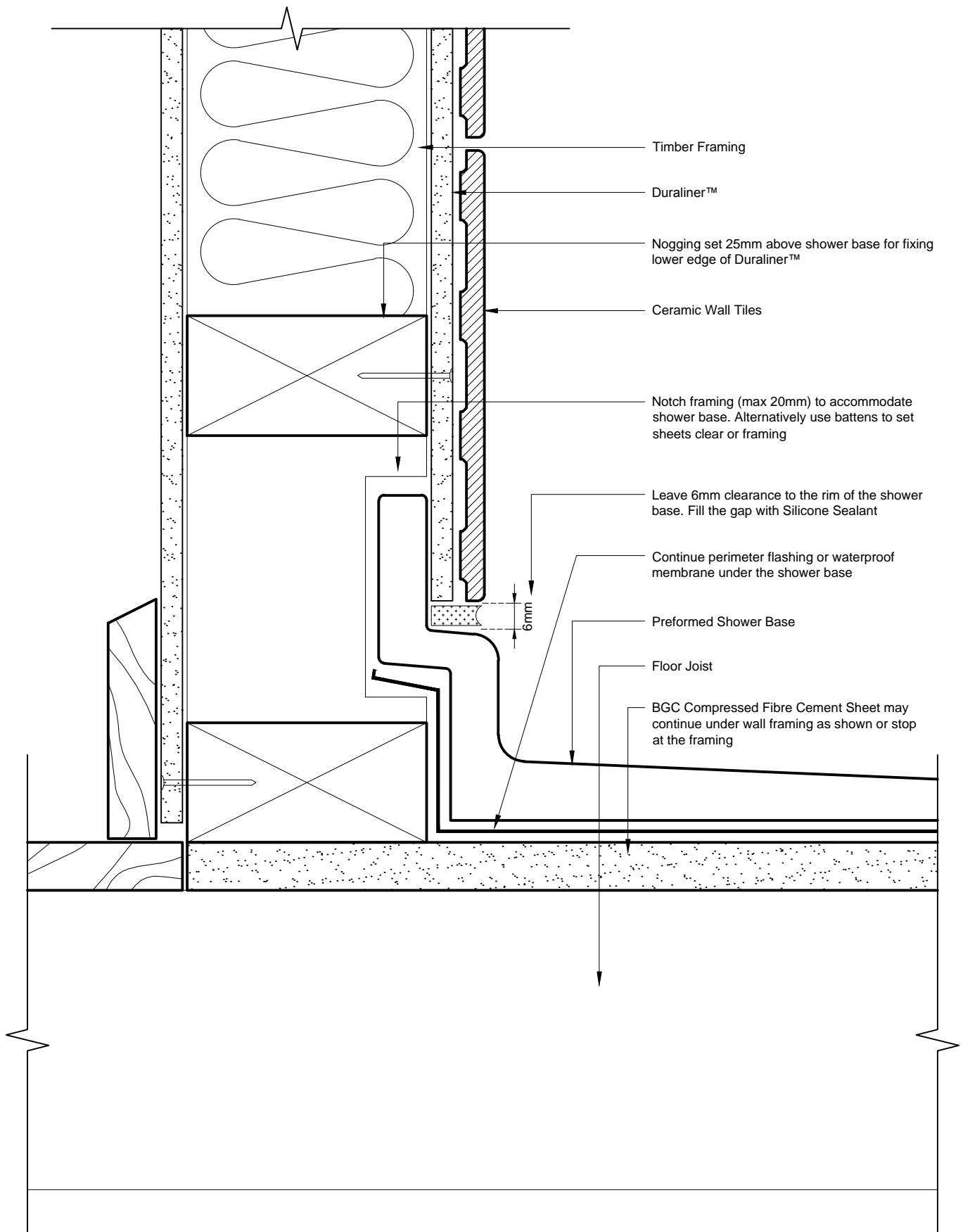


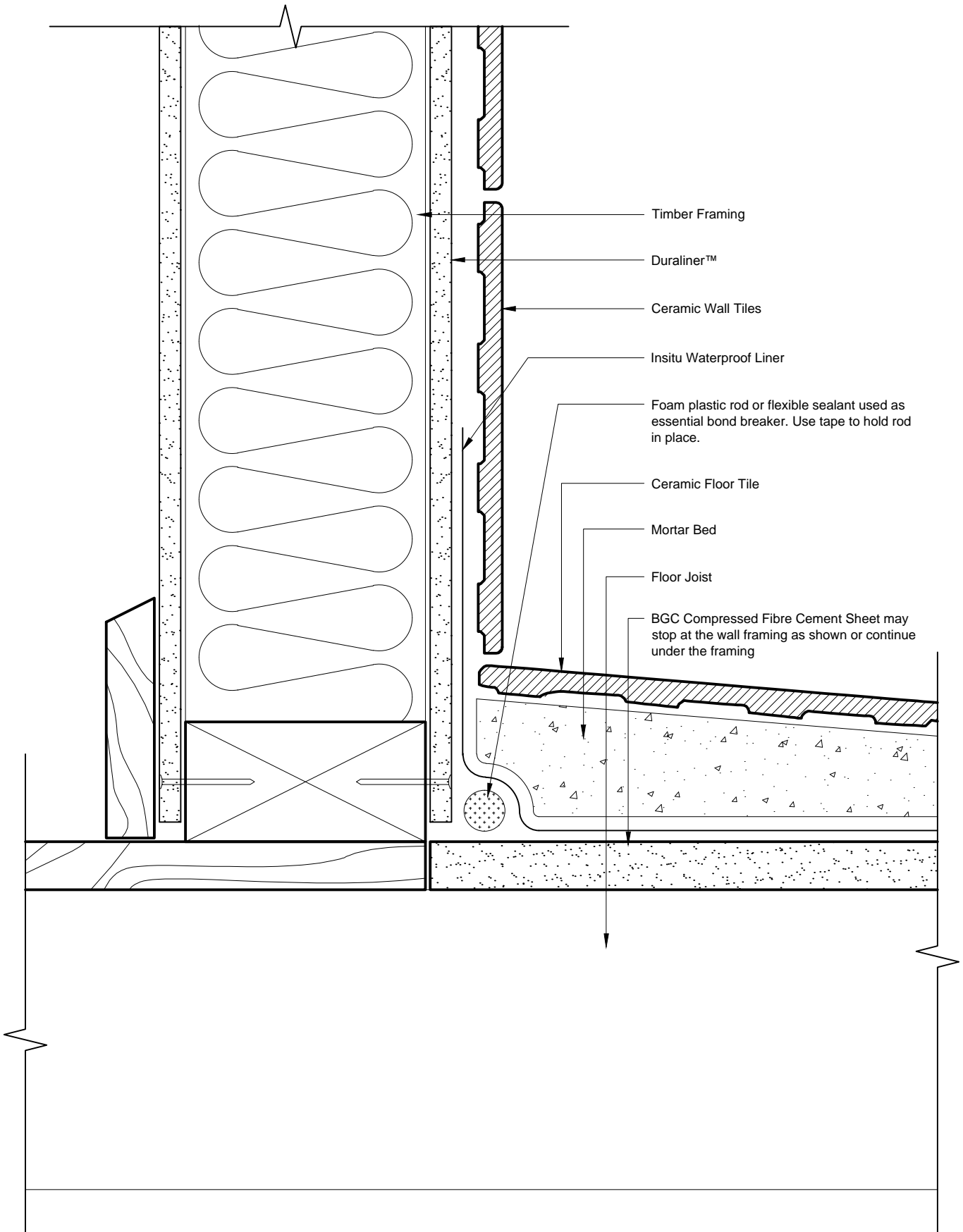
Fibre Cement

Profile  
Detail

Compressed Fibre Cement  
Shower Recess

Date Jan 2013  
Scale n/a  
Detail No. ACOM\_003



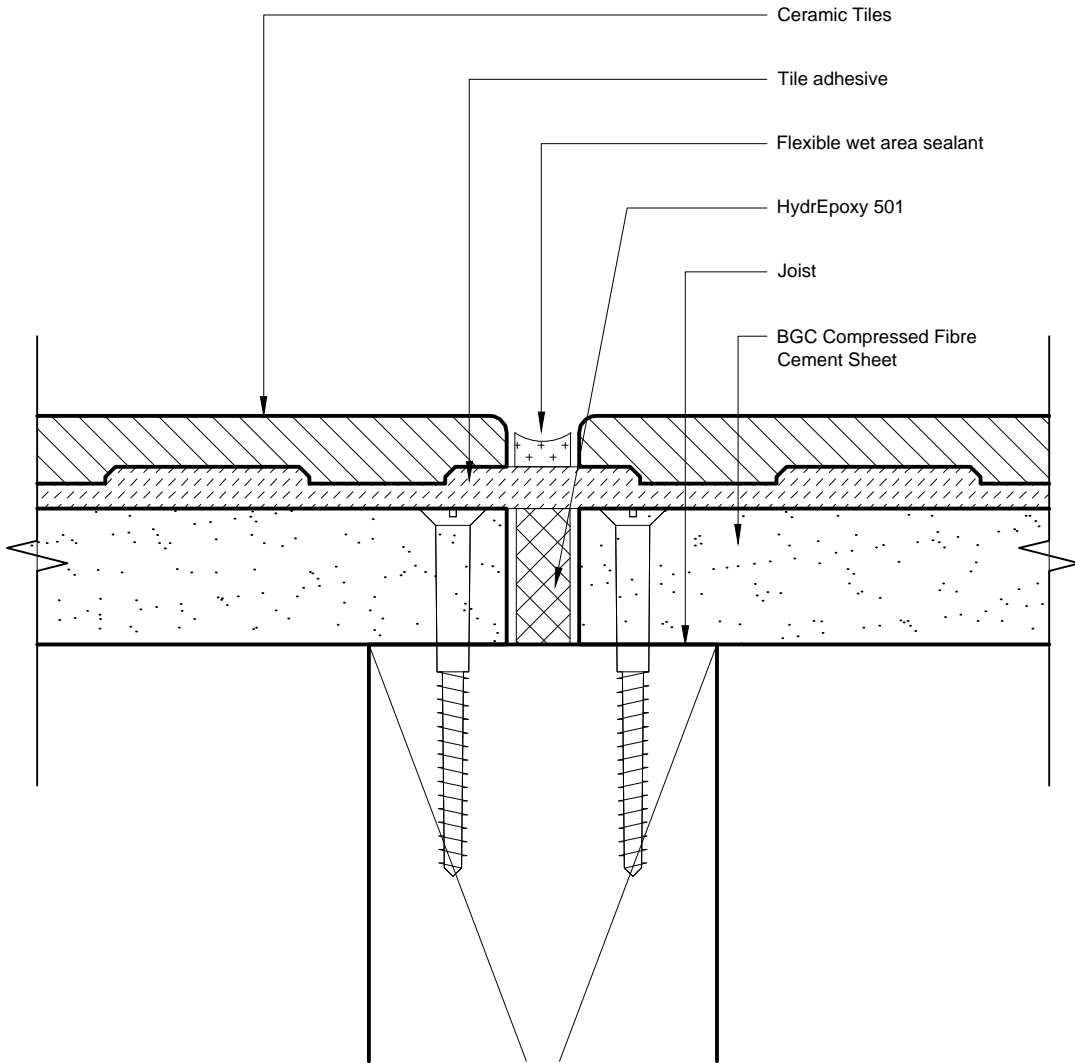


Fibre Cement

Profile  
Detail

Compressed Fibre Cement  
Detail Using Waterproof Membrane

Date Jan 2013  
Scale 1:2  
Detail No. ACOM\_005



Fibre Cement

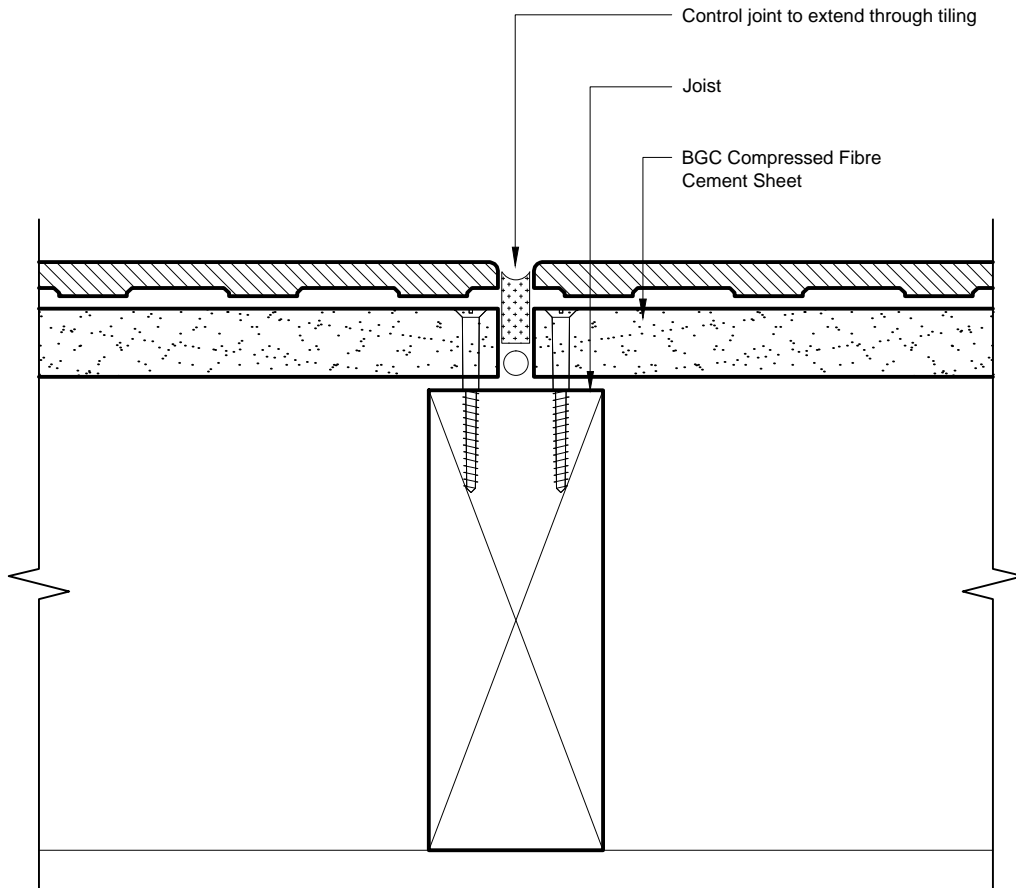
Profile  
Detail

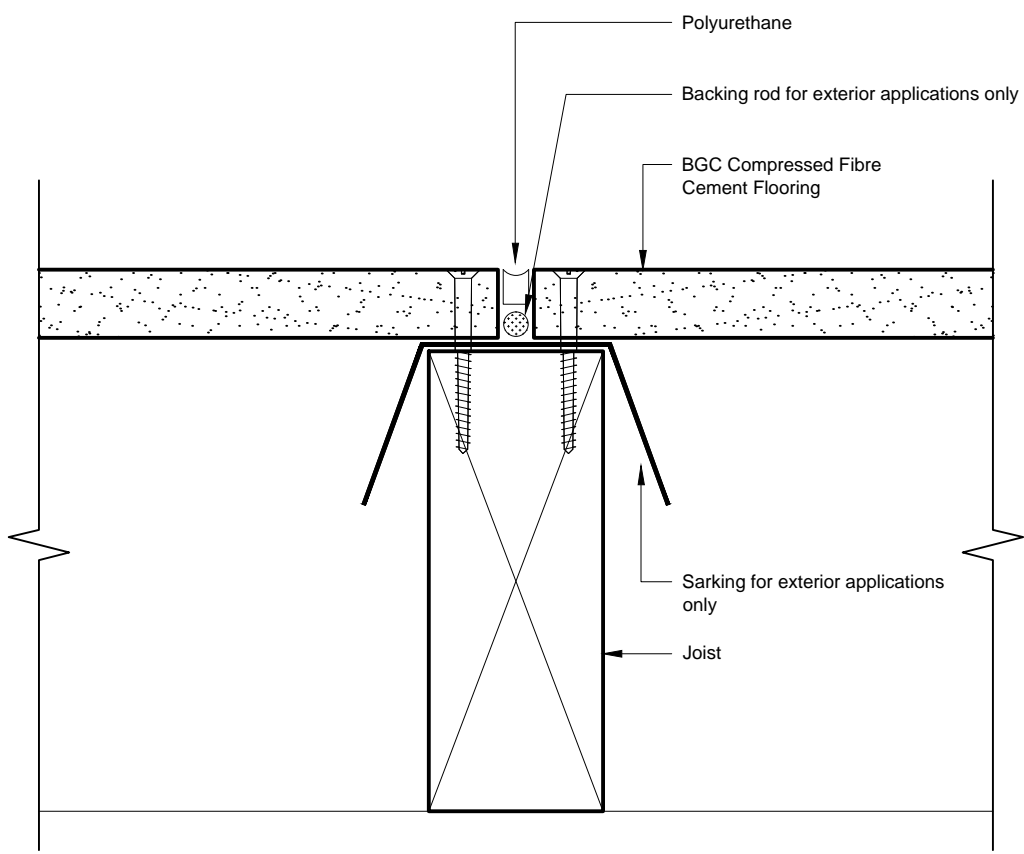
Compressed Fibre Cement  
Tiles & Sheet Joints

Date Jan 2013

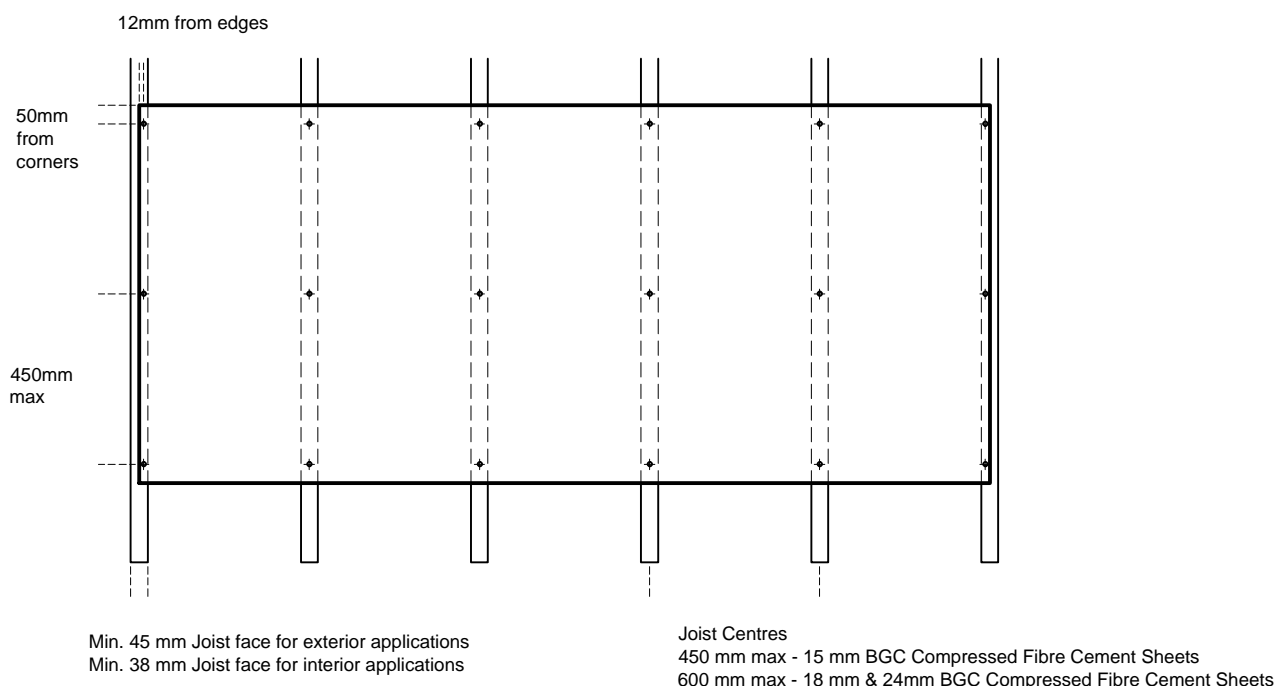
Scale 1:1

Detail No. ACOM\_006







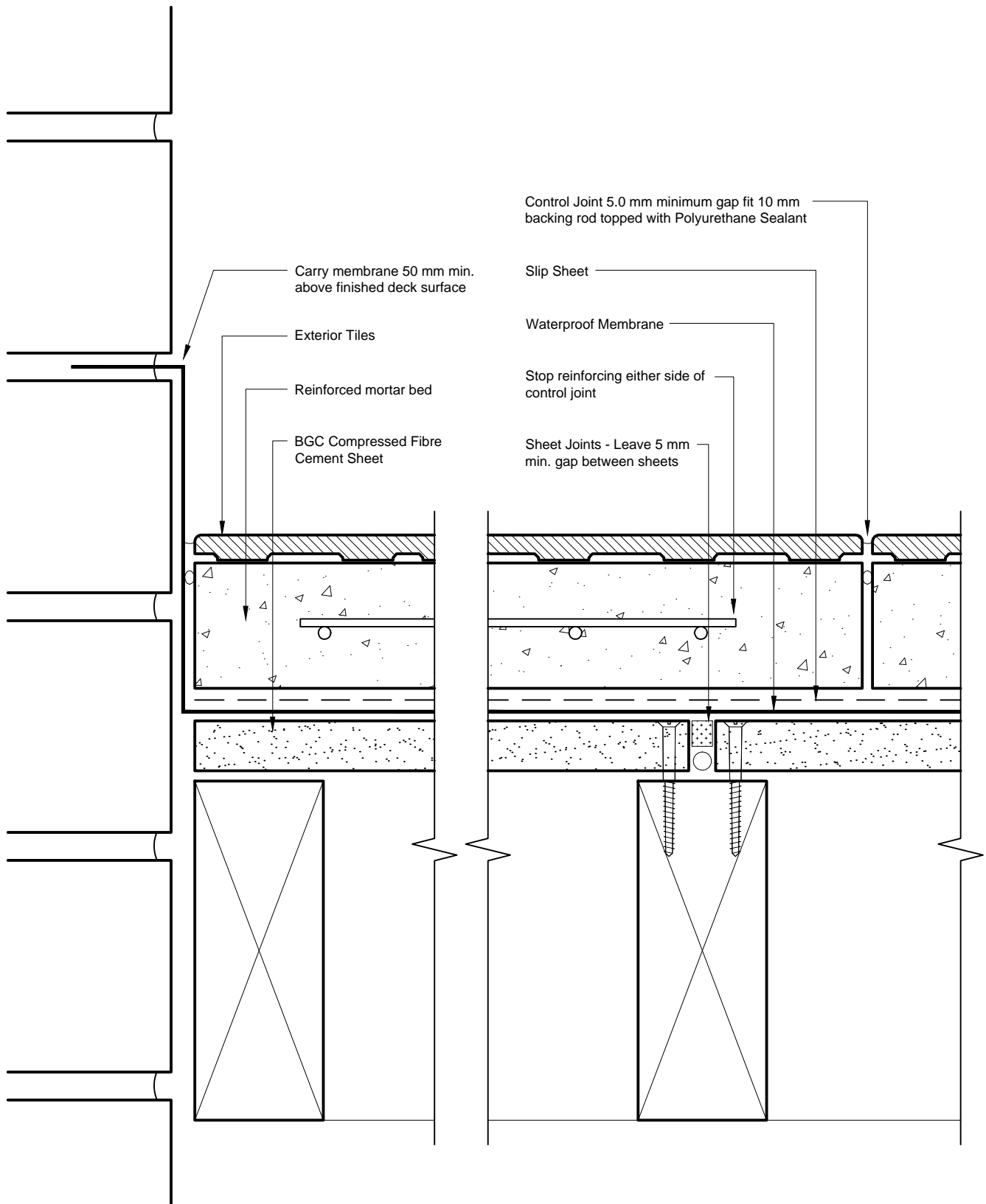


Fibre Cement

Profile  
Detail

Compressed Fibre Cement  
Sheet Support

Date Jan 2013  
Scale 1:20  
Detail No. ACOM\_009

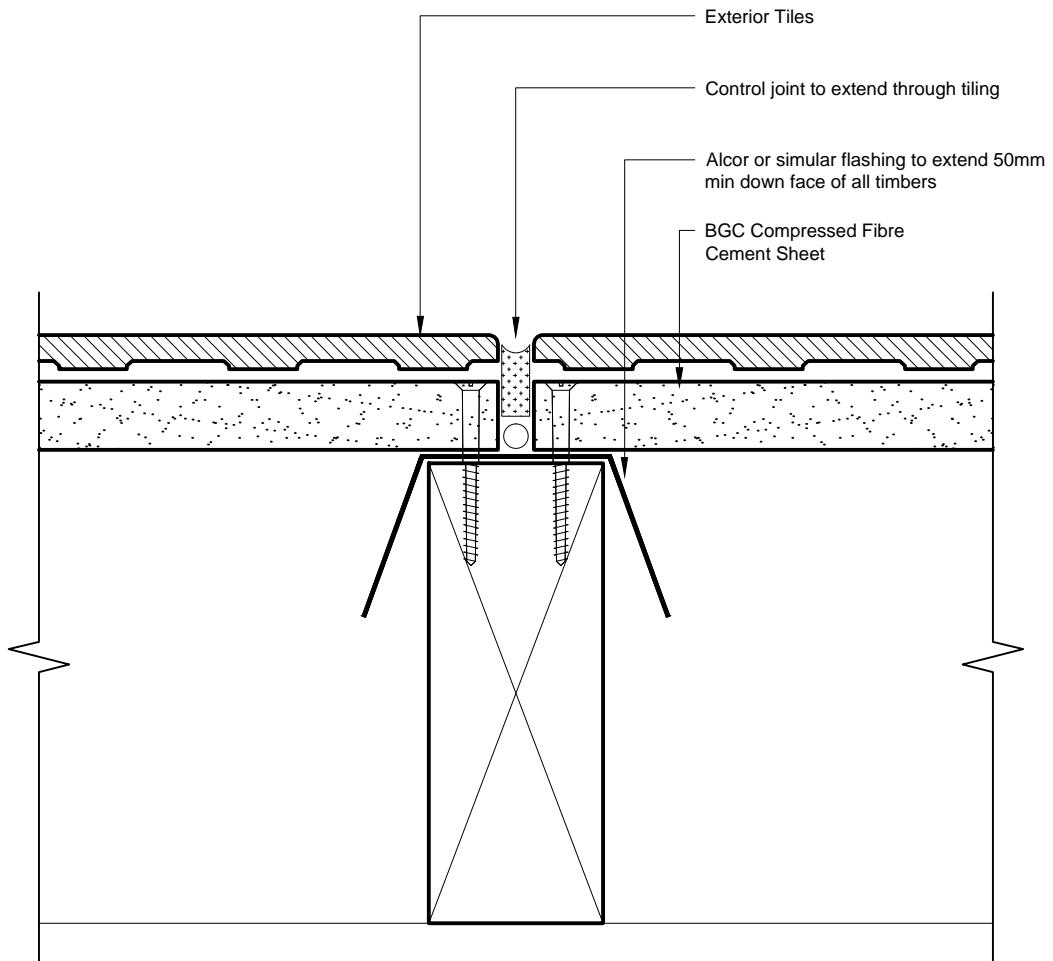


Fibre Cement

Profile  
Detail

Compressed Fibre Cement  
External Deck-Typical  
Habitable Area Below

Date Jan 2013  
Scale 1:2  
Detail No. ACOM\_010



Fibre Cement

Profile  
Detail

Compressed Fibre Cement  
Exterior Decking Low Level

Date Jan 2013  
Scale 1:2  
Detail No. ACOM\_011

